



BB Baylight

-  Recyclable
-  Vandal Resistant
-  Recyclable Materials
-  DALI communication
-  CO2 reduction
-  Protection
-  LED Technology
-  Glare Free
-  Energy Efficiency
-  Maintenance free
-  Plug & play installation
-  Extreme long lifetime

Product description

LED fixture for suspended high ceiling applications. Housing is made of rectangular shaped high quality extruded aluminium (outdoor grade). All fixations are made out of corrosion proof materials for long life and maintenance free applications.

Specially developed LED engines inside the housing emits light into an impact-proof and IP65 housing. With special IP optic technique the light is beamed at a specific angle to create an optimal light distribution for different applications (narrow, medium, wide, symmetrical, asymmetrical distributions are possible)

The specific light distributions make it possible to illuminate spaces in different ways. This means the fixture is suited for Industrial areas and warehousing or similar applications. Driver can be integrated or placed in remote.

Specifications

Input voltage	220 – 240 Vac (through external driver)
Frequency	50 / 60 Hz (through external driver)
Power factor	0,98 (100%), 0,85 (20%)
Dim range	DALI I or II compliant (1-10V possible)
Driver lifetime	65.000 hours @ Ta 40°C
Insulation	Class I
Operation temp.	-25°C ~ +40°C
Wiring	End connector 1,5mm ² L, N, Da+, Da-

Construction

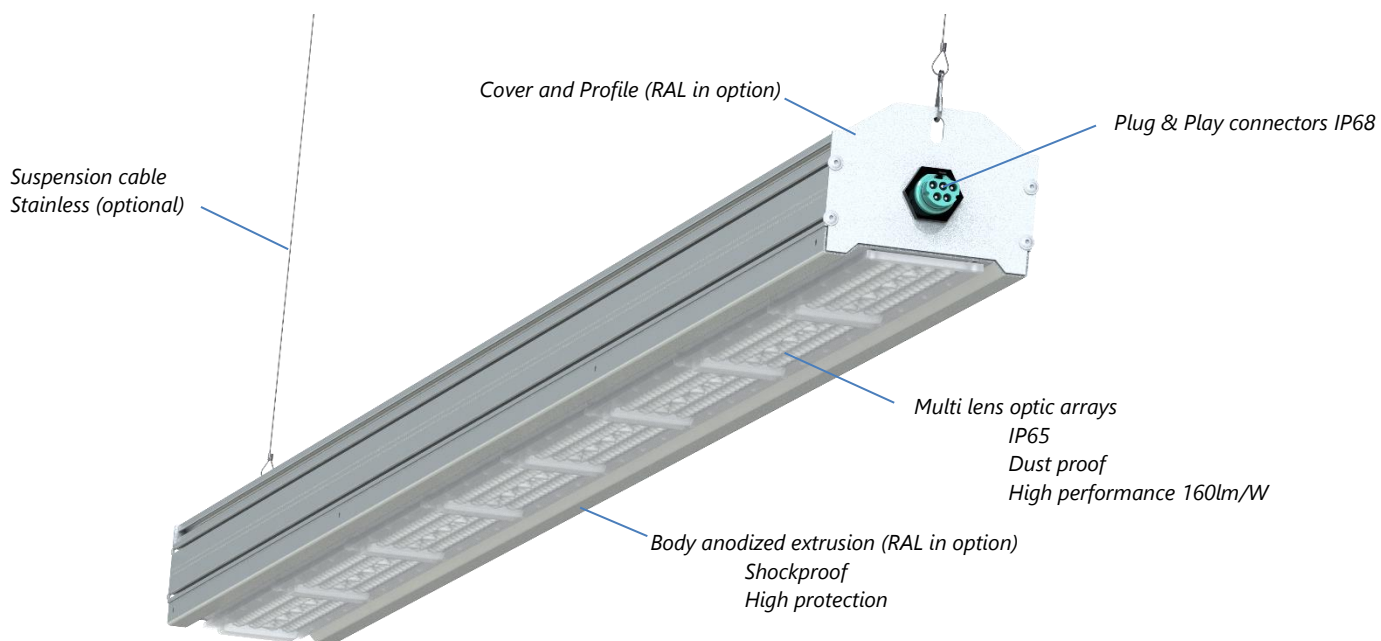
Luminaire parts	extruded anodized aluminium
Protector	diffused optics Polycarbonate plate
Power supply	LED driver ext IP67 (internal LED driver possible)
Fixing	Stainless steel 304
Connection	Plug & Play IP65 minimum / flying lead
Light source	mid power LED
LED lifetime	L80B10 = 65.000 hours
Light colour	4000K (3000 -5000K optional)
CRI	RA >80 (up to 92 optional)

Certifications

Protection class	IP65
Impact class	IK08 min
Standards	EN 60598-1, EN 60598-2-2, EN 55015, EN 61000-3-2
All wires	Low Smoke Zero Halogen
Material usage	Fully recyclable components Design following Cradle to Cradle concept ENEC approval in progress



Multi lens optic arrays with high efficiency, dust and shock resistant



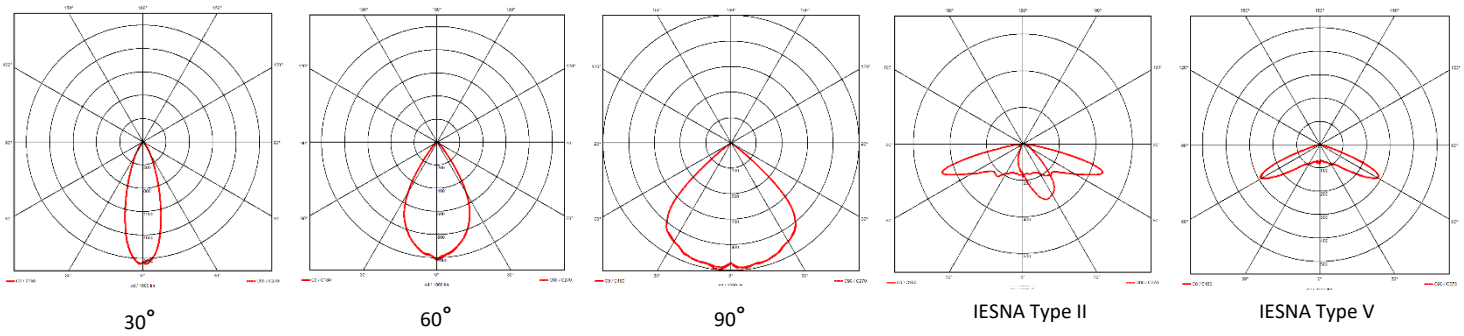
Types and dimensions

Type	Length	Power	Weight	Lumen
BL20-SxxWE-xxx	204cm	270W	15 kg	40.465 lm
BL20-SxxWE-xxx	153cm	200W	12 kg	30.349 lm
BL20-SxxWE-xxx	102cm	135W	10 kg	20.232 lm
BL20-SxxWE-xxx	51cm	65W	7 kg	10.116 lm

Additional Parts

SCWBL Start Cable 2m with Plug & Play connector IP68 (Wieland RST20i5)

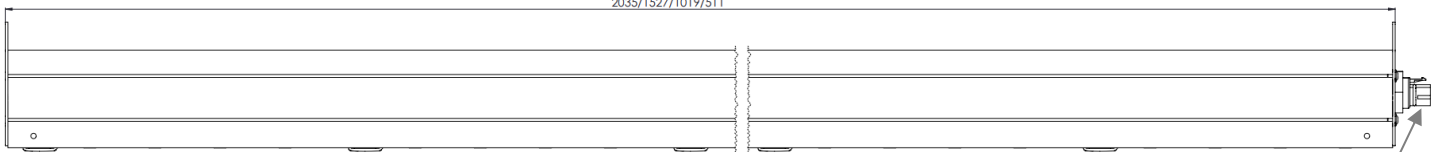
Distributions



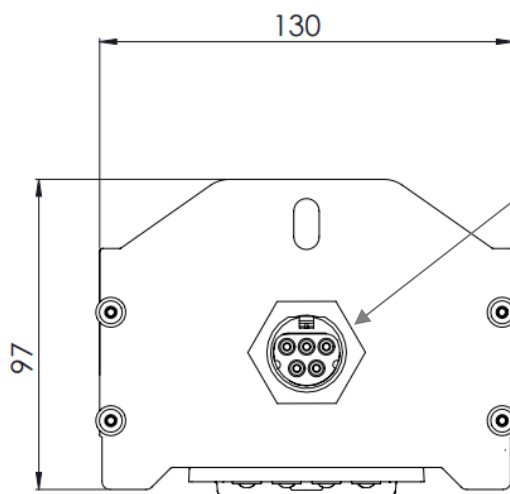
General Dimensions

Sideview

2035/1527/1019/511



Profileview



Plug & play connectors IP68 -
230VAC 50/60Hz 5 G 1,5mm

Dimensions in mm